

DSJ-U1

Body Worn Camera



Features

High Level Protection

- IP67, adaptive to various environments
- 2 meters drop protection

Excellent Video Transmission

- KWTP protocol for 3G / 4G / Wi-Fi transmission, improves the video stream continuity under unstable network conditions
- H.264 / H.265 video codec, saves up to 50% bandwidth and storage

High Quality Image

- Night view with LED and IR
- High definition and smooth picture, 1080p@30fps
- Optional extendable camera types (button, badge, ear-hook)

High Performance

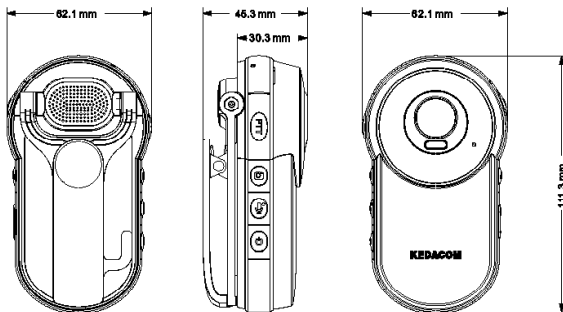
- Qualcomm 8 core processor
- Supports types of 3G / 4G network

Abundant Functions and Features

- 2.2" touchscreen display
- Various shortcut button
- Supports location function by GPS, GLONASS
- Supports external memory
- Supports removable clip

Dimensions

Units:mm



Specifications

	DSJ-U1-W / DSJ-U1-WN	DSJ-U1-LP / DSJ-U1-LPN
System		
Operating System	Deep customized Android OS	
Processor	Qualcomm 8 core 1.5GHz	Qualcomm 8 core 2GHz
Application System	Customized law-enforcing recording software system	
RAM	2GB	3GB
Video		
Compression	H.264	H.264 / H.265
Image Resolution	Main stream: 1080p Secondary stream: D1	Secondary stream: 720p
Frame Rate	Main stream: 1080p@30fps Secondary stream: D1@30fps	Secondary stream: 720p@30fps
Bitrate	64Kbps ~ 8Mbps	
Dual-stream	Supported	
Caption	Date and time / Customized	
Watermark	Supported	
Audio		
Compression	G.711a / G.7221c / ADPCM / AACLC	
Coding Rate	32Kbps ~ 64Kbps	
Audio Function	Bi-directional audio / AEC / Dumb / Mute	
Display		
Size	2.2"	
Technology	Visible under the sun	
Touchscreen	Supported	
Camera		
Image Sensor	1/3" progressive scan CMOS	1/2.8" progressive scan CMOS
Focal Length	2.55mm	
Angle of View	Diagonal 150°, Horizontal 110°	Diagonal 150°, Horizontal 110°
Snapshot Resolution	13MP	
Night View	2 white LED, 2 IR LED, 15M Infrared Distance	
Network		
3G	Not supported	WCDMA: B1 / B2 / B5 / B8 TD-SCDMA: B34 / B39 EVDO: BC0
4G	Not supported	FDD-LTE: B1 / B3 / B7 TD-LTE: B38 / B39 / B40 / B41
Wi-Fi	802.11 a/b/g/n 2.4G+5GHz	
Bluetooth	Bluetooth 4.0	
NFC	Not supported	Supported
Location Technology	GPS, GLONASS	
Storage		
ROM	16G	32G
External Memory	Micro SD (up to 128G)	
Interface		
Shortcut Button	PTT (optional) , Power on/off, Video recording, Audio recording, Snapshot, Event tag	
SIM	Not supported	1 x Micro SIM slot
USB	1 x Micro USB2.0	
Protection		
Protection Level	IP67	
Drop Protection	2 meters drop	
Battery		
Capacity	2700mAh	
Replaceable	Supported	
Built-in Camera Usage Time (Hours)	3G / 4G Not supported Wi-Fi (on) : Up to 5.7h Wi-Fi (off) : Up to 6h	3G / 4G (on): Up to 7h Wi-Fi (on) : Up to 7h 3G / 4G (off) and Wi-Fi (off): Up to 9h
External Camera (720p)	3G / 4G Not supported Wi-Fi (on) : Up to 2.4h	3G / 4G (on): Up to 3.5h Wi-Fi (on) : Up to 3.5h
Usage Time (Hours)	Wi-Fi (off) : Up to 2.6h	3G / 4G (off) and Wi-Fi (off): Up to 3.8h
External Camera (1080p)	3G / 4G Not supported Wi-Fi (on) : Up to 2.2h	3G / 4G (on): Up to 3.2h Wi-Fi (on) : Up to 3.2h
Usage Time (Hours)	Wi-Fi (off) : Up to 2.5h	3G / 4G (off) and Wi-Fi (off): Up to 3.5h
Environmental		
Operating Temperature	-30°C ~ 70°C / -22°F ~ 158°F	
Mechanical		
Weight	206g / 0.454lb (including battery)	199g / 0.439lb (including battery & clip) 190g / 0.418lb (including battery)
Dimensions	111.3× 62.1 × 30.3mm / 4.38" x 2.44" x 1.19"	
Accessories		
Standard	Power adapter, USB cable, Battery	
Optional	Additional battery, Button / Badge camera, Ear-hook camera	

* All battery claims depend on network configuration and many other factors, actual results will vary

ZCS-KDCA1

Data Docking Station



Features

High Performance

- 13.3" color LCD with resolution of 1920 x 1080
- Supports up to 24 units of body worn camera
- Supports up to 24TB storage

Easy to Use

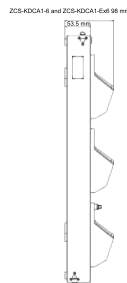
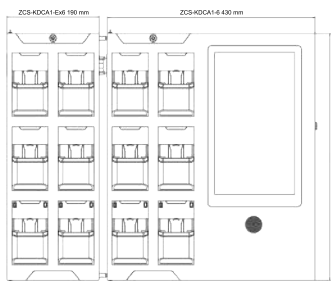
- Wall-mounted and desktop designed, easy to install
- Modular design, easy to upgrade system capacity
- Plug and play, auto charging and data transmission
- Touch screen operation

Abundant Functions and Features

- Record searching and playback
- Auto lock after device plugged in
- Use the password to unlock device
- Priority slot for high speed data transmission
- Built-in battery protection for sudden power-off / shut down

Dimensions

Units:mm



Specifications

	ZCS-KDCA1
System	
Operating System	Windows10
Processor	Intel N3710
Application System	Data Docking Station Management Software
RAM	4GB
User Management	Admin / User
Log Management	User login / User operation / Alarm / Update
Display	
Size	13.3"
Resolution	1920 x 1080
Touch Screen	Supported
Search & Playback	
File Type	Video, Audio, Pic, Log
Search Mode	Duration filter / Tag
Playback Resolution	1 x 1080p@30fp
Functions	Querying, Viewing, Downloading, Removing
Slot	
Default Slot	ZCS-KDCA1-6: 6 Slots by default, supports 6 units of Body Worn Camera Supports up to 3 extended modules (6 slots per module) Applies to DSJ-U1-W, DSJ-U1-L and DSJ-U1-LP ZCS-KDCA1-6N: 6 Slots by default, supports 6 units of Body Worn Camera Supports up to 3 extended modules (6 slots per module) Applies to DSJ-U1-WN, DSJ-U1-LPN ZCS-KDCA1-EX6: Extended module of ZCS-KDCA1-6, 6 slots per module, supports 6 units of Body Worn Cameras
Extended Module	Applies to DSJ-U1-W, DSJ-U1-L and DSJ-U1-LP ZCS-KDCA1-EX6N: Extended module of ZCS-KDCA1-6N, 6 slots per module, supports 6 units of Body Worn Cameras Applies to DSJ-U1-WN, DSJ-U1-LPN
Slot Functions	Battery charging, Data transmission, Lock, Priority slot, Automatic upgrade, Time correction
Data Loading Speed	Full load: up to 4.6MB/s per slot For priority slot: up to 15MB/s
Alarm	
System Alarm Triggers	No disk / Insufficient recording space / Network disconnected
Alarm Events	Buzzer / Alarm text
Storage	
Max. Internal HDDs	3 x 3.5" hard disk drawer (1 x 4TB Hard disk included) Max. 24TB (up to 8TB/each)
RAID	RAID 1
Interfaces	
Ethernet	1 x Gigabite network port, RJ45 interface
Audio Out	Built-in speaker
Point lock	1 x Point lock (Unlock all devices at the same time by key)
USB	1 x USB 2.0: for extended device 2 x Mini USB: for thirdparty device charging 2 x Micro USB: for thirdparty device charging
Environmental	
Operating Temperature	-10°C ~ 55°C / 14°F ~ 131°F
Operating Humidity	10% ~ 95%
Electrical	
Power	100 ~ 240V AC, 50 ~ 60Hz ZCS-KDCA1-6/6N: Max. 105W ZCS-KDCA1-6/6N + 1 x ZCS-KDCA1-EX6/6N: Max. 135W ZCS-KDCA1-6/6N + 2 x ZCS-KDCA1-EX6/6N: Max. 165W ZCS-KDCA1-6/6N + 3 x ZCS-KDCA1-EX6/6N: Max. 195W
Emergency Power	Built-in battery: 2150mAh
Mechanical	
Weight	ZCS-KDCA1-6/6N: 10.3Kg / 22.7lb (HDD not included) ZCS-KDCA1-EX6/6N: 3.68Kg/8.11lb
Dimensions	ZCS-KDCA1-6/6N: 430 x 510 x 98mm / 16.92" x 20.08" x 3.86" ZCS-KDCA1-EX6/6N: 190 x 510 x 98mm / 7.48" x 20.08" x 3.86"

USBCAM-110

Button Camera



Specifications

	USBCAM-110	USBCAM-120	USBCAM-130-M
Standard	USBCAM-110		
Interface	Micro USB2.0		
Resolution	720p@30fps	1080p@30fps	
Audio	Built-in Mic		
Lens			
Iris	F2.0		
Focal Length	4.3mm	6.2mm	
Angle of View	Diagonal 88°, Horizontal 74.2°, Vertical 39.8°		
Protection			
Ingress Protection Rating	IP66		
Mechanical			
Weight	24g / 0.053lb		
Dimensions	75.6 × 24.5 × 21.4mm / 2.98" × 0.96" × 0.84"		

Features

Mini Size

- 24g / 0.053lb weight
- 75.6 × 24.5 × 21.4mm / 2.98" × 0.96" × 0.84"

Abundant Functions and Features

- Hidden wear
- Built-in Mic

USBCAM-230

Ear-hook Camera



Specifications

	USBCAM-210	USBCAM-220	USBCAM-230-M
Standard	USBCAM-210		
Interface	Micro USB2.0		
Resolution	720p@30fps	1080p@30fps	
Audio	Built-in Mic and earphone		
Lens			
Iris	F2.2		
Focal Length	4.9mm		
Angle of View	Diagonal 84°, Horizontal 68°, Vertical 35°		
Protection			
Ingress Protection Rating	IP54 (optional)		
Mechanical			
Weight	33g / 0.073lb		
Dimensions	103 × 75 × 18mm / 4.06" × 2.95" × 0.71"		

Features

Mini Size

- 33g / 0.073lb weight
- 103 × 75 × 18mm / 4.06" × 2.95" × 0.71"

Abundant Functions and Features

- Built-in Mic
- Built-in earphone

MA-B

Body Worn Camera Battery Charger



MA-B1



MA-B2



MA-B3

Specifications

	MA-B1	MA-B2	MA-B3
Standard			
Interface	Micro USB2.0	AC input socket	AC input socket
Charger Slot (s)	1	6	6
Charging time	Fully charged within 3 hours		
Environmental			
Operating Temperature	-10°C ~ 55°C / 14°F ~ 131°F		
Operating Humidity	10% ~ 95%		
Electrical			
Ingress Protection Rating	IP66		IP00 ~ 240V AC, 50 ~ 60Hz
Power Consumption	Max. 6W	Max. 50W	Max. 180W
Electric Current	Max.1.2A (each slot)		
Mechanical			
Weight	97g / 0.21lb	1.3kg / 2.87lb	4kg / 8.82lb
Dimensions	75 × 47 × 24.5mm / 2.96" × 1.86" × 0.97"	230 × 160 × 37mm / 9.06" × 6.30" × 1.46"	630 × 230 × 45mm / 24.81" × 6.30" × 1.78"

Features

High-efficiency

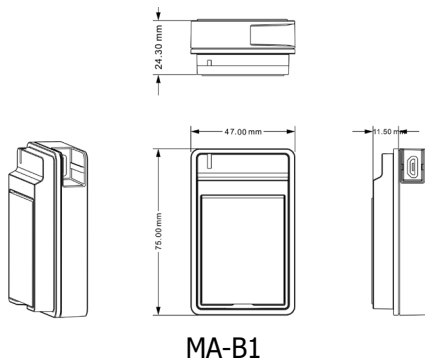
- Constant current fast charge
- Trickle charge

High Reliability

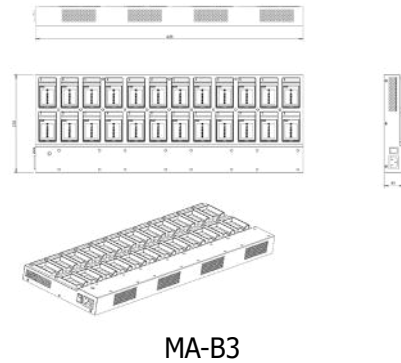
- Overcurrent protection
- Short circuit protection

Dimensions

Units:mm



MA-B1



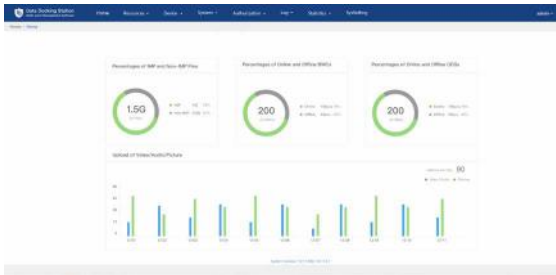
MA-B3



MA-B2

ZFS-KDCA1

Data Docking Station Management Software



Specifications

	ZFS-KDCA1 Data Docking Station Management Software
System Access	
Device Access	up to 10,000 body worn cameras access
	up to 500 data docking stations access
User Access	up to 50 users
Management Functions	
Device Registering	Kedacom body worn camera, Kedacom data docking station
Resource Access	Video recording, Audio recording, Snapshot, Log
User Management	Admin / User
User Authorization	Layered authorization
Statistics	Dash Board, Graphical statistics
Application Programming	SDK
Browser	Kedacom Chrome
Network	
Network Protocols	TCP/IP, UDP, HTTP, XML, IPv4
User Interface	Web Client
System Requirements	
CPU	Intel i5 4-core processor 2.0GHz or above
RAM	32GB or above
HDD	Enterprise Class SATA HDD, 1TB, 7200 RPM, 6Gb/s, 64MB cache, or above
Ethernet	1 x Gigabit network port
Operating System	Centos 7.4

Features

Manage The Data Docking Station by PC

- ZFS-KDCA1 can help you manage the data docking station by PC. You can easily access the data docking station and all the body worn cameras, download the recordings and snapshots.

Multiple Device Management

- ZFS-KDCA1 supports multiple device management. The software can manage up to 10,000 body worn cameras and 500 data docking stations. It support graphical statistics, so you can get and view the operating statistics of all the body worn camera.

High-performance, High-capacity

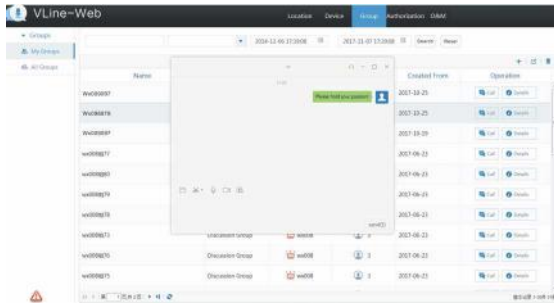
- Average response for web page loading: ≤ 5s
- Maximum delay for searching response: ≤ 5s

High Security

- Supports layered authorization
- Supports full and accurate user logs

VLine

Communication Kit



Features

Real-time Communication Service

- VLine is a communication Kit for Kedacom portable mobile device (such as body worn camera and body worn surveillance phone). It can provide real-time communication service, such as Push-to-Talk and message chat. VLine supports address book and contacts service, so all the body worn camera and body worn surveillance phone can easily communicate with other devices.

Group Communication

- VLine can build up many groups, each groups can have internal PTT or chat. VLine PC client also can join in the PTT or chat group, In addition, the VLine PC client can support broadcast and bulletin function, so you can send alarm or any message to all the body worn camera and body worn surveillance phone in the same time.

Map Interface

- VLine support map interface by google offline map. You can view all the body worn camera and body worn surveillance phone on the map by real-time position.

Powerful Management Functions

- Authorization of multi-group listening, forcible group joining
- Forcible talking assigned to high-ranking users
- Chat copying, favorites, deletion, forwarding, and history searching

High-performance, High-capacity

- Supports up to 500 client in a group
- Supports up to 50,000 users
- Supports low Message and PTT delay (< 500 ms) on 3G/4G networks
- Supports clear voice processing

Specifications

	VLine Communication Kit
Capacity	
Maximum Number of MSG / PTT Access	Up to 50,000
Basic Functions	
Address book and contacts service	Organization architecture and real-time user status
Group service	Build up groups, supports up to 500 client in a group
Broadcast message and bulletin service	Notifications from the VLine PC Client to Body Worn Camera with alerts
Map	Google offline map
User Management	Admin / User
Message Functions	
Chat service	Text, Picture, Short video, Short audio
Push-to-Talk Functions	
P2P	Real-time person-to-person communication service
Group	Real-time group communication service
Network	
Network Protocols	TCP/IP, UDP, HTTP, XML, IPv4
User Interface	VLine PC Client, Kedacom Body Worn Camera, Kedacom Body Worn Surveillance Phone
System Requirements (Hardware)	
CPU	Min. Intel XEON E5, 4 core (20 client access)to Max. 6 x Inter XEON E5, 8 core (50,000 client access)
RAM	Min. 4GB (20 client access)to Max. 6 x 16GB (50,000 client access)
HDD	Min. 1TB (20 client access)to Max. 6 x 1TB (50,000 client access)
System Requirements (Software)	
Supported Operating System	Centos 6.5 64-bit
Database	Oracle 11g / Redis 3.0